

e **Emaux**
water technology

SuperPower
Variable Speed



Overall Advantages

Emaux 's SuperPower series variable speed pump is designed and manufactured to benefit the pool industry with a valuable product that pool owners will appreciate on their power bill.

The energy saving pump would widely apply on pool, spa, waterfall, and water features. It provides the best energy saving solution from over-usage and to increase efficiency and reduce maintenance cost.

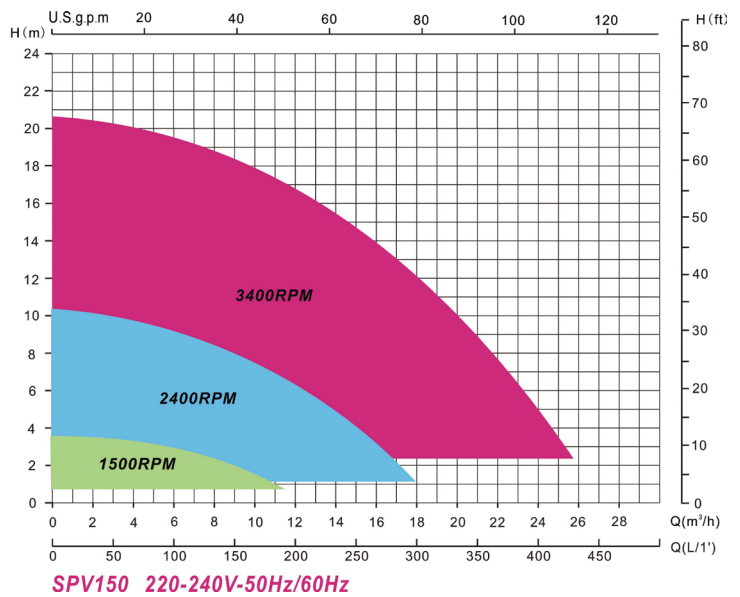
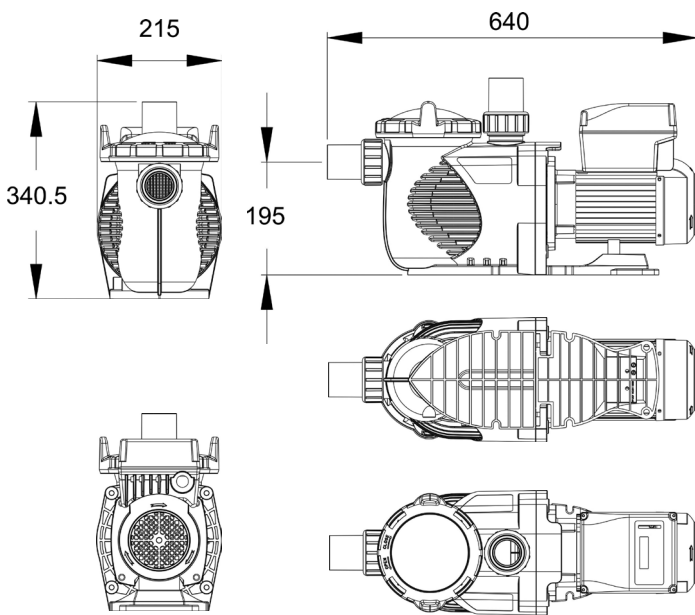
Traditional single speed pump runs at maximum load continuously. It is inefficient and with high running cost compare to Emaux SuperPower Variable Speed Pump. Reduced speeds (rpm) provide a slower water circulation rates that put less strain on the complete installation such as filtration, sanitization and plumbing. It reduces the wear and tear factor and resulting in cost saving to the pool owner.

The design for (Totally Enclosed Fan Cooled) TEFC Motor would also increase the reliability and durable for all weather condition. Motor shaft and shaft seal are AISI316 will also ensure it is reliability and applicable on salt water pools.

Motor Advantages

Emaux SuperPower Variable Speed Pump utilized the latest Permanent Magnet Motor (PMM) technology, it produces a magnetic field between the rotor and windings. The energy saving is derived from the ability to reduce the RPM of the motor itself. The standard motor consumes electricity to induce the magnetic field into the rotor; on the other hand, PMM motor gains efficiency by the magnets working to spin the rotor, which achieves energy cost saving up to 80%.

SPV Energy Efficient Pump



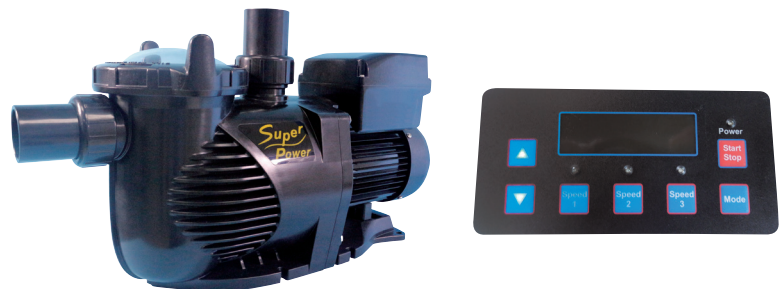
Code	Model Code	Power	Connection	Input Power (Max.)	Horsepower	RPM
88029807	SPV150	220-240V, 50Hz/60Hz	1.5" 50mm	1.3kW	1.5HP	800-3400rpm

Highlight Features

- Permanent Magnet Motor (PMM), Totally Enclosed Fan Cooled (TEFC)
- Pump casing ABS + % glass filled, Impeller PPO (SABIC) Strainer basket and base in PP + % Glass filled
- Motor shaft SS316, Seals bellows-EPDM stationary face-SiC rotating face-Graphite Spring-SS316
- Super Quiet Operation when running at the low RPM mode
- Designed and constructed to maximize the pump's hydraulic performance

With advanced menu

- One touch controller, the total control in your finger, pre-set speed programs, schedules, to have the most efficient pool, spa or any water feature connected.
- Compatible with the future, LMCnet® (Emaux wireless management system). Discover it.



www.emauxgroup.com

