



Technical Information

Serial No.	Model No.	Description	Pool Volume	Flowrate
88390101	EMD-7C	S450 Sand Filter, SS033 Pump, CL-01A Chlorine Feeder and PSB016 Submersible Pump	42m ³	7m ³ /h
88390102	EMD-7CP	S450 Sand Filter, SS033 Pump, CL-01A Chlorine Feeder, SR30 Booster Pump and PSB016 Submersible Pump	42m ³	7m ³ /h
88390103	EMD-7S	S450 Sand Filter, SS033 Pump, SSC15-E Salt Chlorinator and PSB016 Submersible Pump	42m ³	7m ³ /h
88390104	EMD-7SP	S450 Sand Filter, SS033 Pump, SSC15-E Salt Chlorinator, SR30 Booster Pump and PSB016 Submersible Pump	42m ³	7m ³ /h
88390105	EMD-7SL	S450 Sand Filter, SS033 Pump, SSC15-E Salt Chlorinator, TRC-300VA Light Transformer and PSB016 Submersible Pump	42m ³	7m ³ /h
88390106	EMD-7SPL	S450 Sand Filter, SS033 Pump, SSC15-E Salt Chlorinator, SR30 Booster Pump, TRC-300VA Light Transformer and PSB016 Submersible Pump	42m ³	7m ³ /h
88390201	EMD-11C	S500 Sand Filter, SS050 Pump, CL-01A Chlorine Feeder and PSB016 Submersible Pump	66m ³	11m ³ /h
88390202	EMD-11CP	S500 Sand Filter, SS050 Pump, CL-01A Chlorine Feeder, SR30 Booster Pump and PSB016 Submersible Pump	66m ³	11m ³ /h
88390203	EMD-11S	S500 Sand Filter, SS050 Pump, SSC15-E Salt Chlorinator and PSB016 Submersible Pump	66m ³	11m ³ /h
88390204	EMD-11SP	S500 Sand Filter, SS050 Pump, SSC15-E Salt Chlorinator, SR30 Booster Pump and PSB016 Submersible Pump	66m ³	11m ³ /h
88390205	EMD-11SL	S500 Sand Filter, SS050 Pump, SSC15-E Salt Chlorinator, TRC-300VA Light Transformer and PSB016 Submersible Pump	66m ³	11m ³ /h
88390206	EMD-11SPL	S500 Sand Filter, SS050 Pump, SSC15-E Salt Chlorinator, SR30 Booster Pump, TRC-300VA Light Transformer and PSB016 Submersible Pump	66m ³	11m ³ /h
88390301	EMD-14C	S650 Sand Filter, SS100 Pump, CL-01A Chlorine Feeder and PSB016 Submersible Pump	84m ³	14m ³ /h
88390302	EMD-14CP	S650 Sand Filter, SS100 Pump, CL-01A Chlorine Feeder, SR30 Booster Pump and PSB016 Submersible Pump	84m ³	14m ³ /h
88390303	EMD-14S	S650 Sand Filter, SS100 Pump, SSC25-E Salt Chlorinator and PSB016 Submersible Pump	84m ³	14m ³ /h
88390304	EMD-14SP	S650 Sand Filter, SS100 Pump, SSC25-E Salt Chlorinator, SR30 Booster Pump and PSB016 Submersible Pump	84m ³	14m ³ /h
88390305	EMD-14SL	S650 Sand Filter, SS100 Pump, SSC25-E Salt Chlorinator, TRC-300VA Light Transformer and PSB016 Submersible Pump	84m ³	14m ³ /h
88390306	EMD-14SPL	S650 Sand Filter, SS100 Pump, SSC25-E Salt Chlorinator, SR30 Booster Pump, TRC-300VA Light Transformer and PSB016 Submersible Pump	84m ³	14m ³ /h
88390401	EMD-18C	S700 Sand Filter, SC150 Pump, CL-01A Chlorine Feeder and PSB016 Submersible Pump	108m ³	18m ³ /h
88390402	EMD-18CP	S700 Sand Filter, SC150 Pump, CL-01A Chlorine Feeder, SR30 Booster Pump and PSB016 Submersible Pump	108m ³	18m ³ /h
88390403	EMD-18S	S700 Sand Filter, SC150 Pump, SSC50-E Salt Chlorinator and PSB016 Submersible Pump	108m ³	18m ³ /h
88390404	EMD-18SP	S700 Sand Filter, SC150 Pump, SSC50-E Salt Chlorinator, SR30 Booster Pump and PSB016 Submersible Pump	108m ³	18m ³ /h
88390405	EMD-18SL	S700 Sand Filter, SC150 Pump, SSC50-E Salt Chlorinator, TRC-300VA Light Transformer and PSB016 Submersible Pump	108m ³	18m ³ /h
88390406	EMD-18SPL	S700 Sand Filter & SC150 Pump, SSC50-E Salt Chlorinator, SR30 Booster Pump, TRC-300VA Light Transformer and PSB016 Submersible Pump	108m ³	18m ³ /h
88390501	EMD-22C	S700(B) Sand Filter, SC150 Pump, CL-01A Chlorine Feeder and PSB016 Submersible Pump	132m ³	22m ³ /h
88390502	EMD-22CP	S700(B) Sand Filter, SC150 Pump, CL-01A Chlorine Feeder, SR30 Booster Pump and PSB016 Submersible Pump	132m ³	22m ³ /h
88390503	EMD-22S	S700(B) Sand Filter, SC150 Pump, SSC50-E Salt Chlorinator and PSB016 Submersible Pump	132m ³	22m ³ /h
88390504	EMD-22SP	S700(B) Sand Filter, SC150 Pump, SSC50-E Salt Chlorinator, SR30 Booster Pump and PSB016 Submersible Pump	132m ³	22m ³ /h
88390505	EMD-22SL	S700(B) Sand Filter, SC150 Pump, SSC50-E Salt Chlorinator, TRC-300VA Light Transformer and PSB016 Submersible Pump	132m ³	22m ³ /h
88390506	EMD-22SPL	S700(B) Sand Filter, SC150 Pump, SSC50-E Salt Chlorinator, SR30 Booster Pump, TRC-300VA Light Transformer and PSB016 Submersible Pump	132m ³	22m ³ /h
88390601	EMD-25C	S800 Sand Filter, SB20 Pump, CL-01A Chlorine Feeder and PSB016 Submersible Pump	150m ³	25m ³ /h
88390602	EMD-25CP	S800 Sand Filter, SB20 Pump, CL-01A Chlorine Feeder, SR30 Booster Pump and PSB016 Submersible Pump	150m ³	25m ³ /h
88390603	EMD-25S	S800 Sand Filter, SB20 Pump, SSC50-E Salt Chlorinator and PSB016 Submersible Pump	150m ³	25m ³ /h
88390604	EMD-25SP	S800 Sand Filter, SB20 Pump, SSC50-E Salt Chlorinator, SR30 Booster Pump and PSB016 Submersible Pump	150m ³	25m ³ /h
88390605	EMD-25SL	S800 Sand Filter, SB20 Pump, SSC50-E Salt Chlorinator, TRC-300VA Light Transformer and PSB016 Submersible Pump	150m ³	25m ³ /h
88390606	EMD-25SPL	S800 Sand Filter, SB20 Pump, SSC50-E Salt Chlorinator, SR30 Booster Pump, TRC-300VA Light Transformer and PSB016 Submersible Pump	150m ³	25m ³ /h
88390701	EMD-32C	S900 Sand Filter, SB30 Pump, CL-01A Chlorine Feeder and PSB016 Submersible Pump	192m ³	32m ³ /h
88390702	EMD-32CP	S900 Sand Filter, SB30 Pump, CL-01A Chlorine Feeder, SR30 Booster Pump and PSB016 Submersible Pump	192m ³	32m ³ /h
88390703	EMD-32S	S900 Sand Filter, SB30 Pump, SSC50-E Salt Chlorinator and PSB016 Submersible Pump	192m ³	32m ³ /h
88390704	EMD-32SP	S900 Sand Filter, SB30 Pump, SSC50-E Salt Chlorinator, SR30 Booster Pump and PSB016 Submersible Pump	192m ³	32m ³ /h
88390705	EMD-32SL	S900 Sand Filter, SB30 Pump, SSC50-E Salt Chlorinator, TRC-300VA Light Transformer and PSB016 Submersible Pump	192m ³	32m ³ /h
88390706	EMD-32SPL	S900 Sand Filter, SB30 Pump, SSC50-E Salt Chlorinator, SR30 Booster Pump, TRC-300VA Light Transformer and PSB016 Submersible Pump	192m ³	32m ³ /h

Note: Suggested sand weight varies with differences in filter media size. For reference only.

Photos are for reference only,
contents are subject to change
without prior notice.

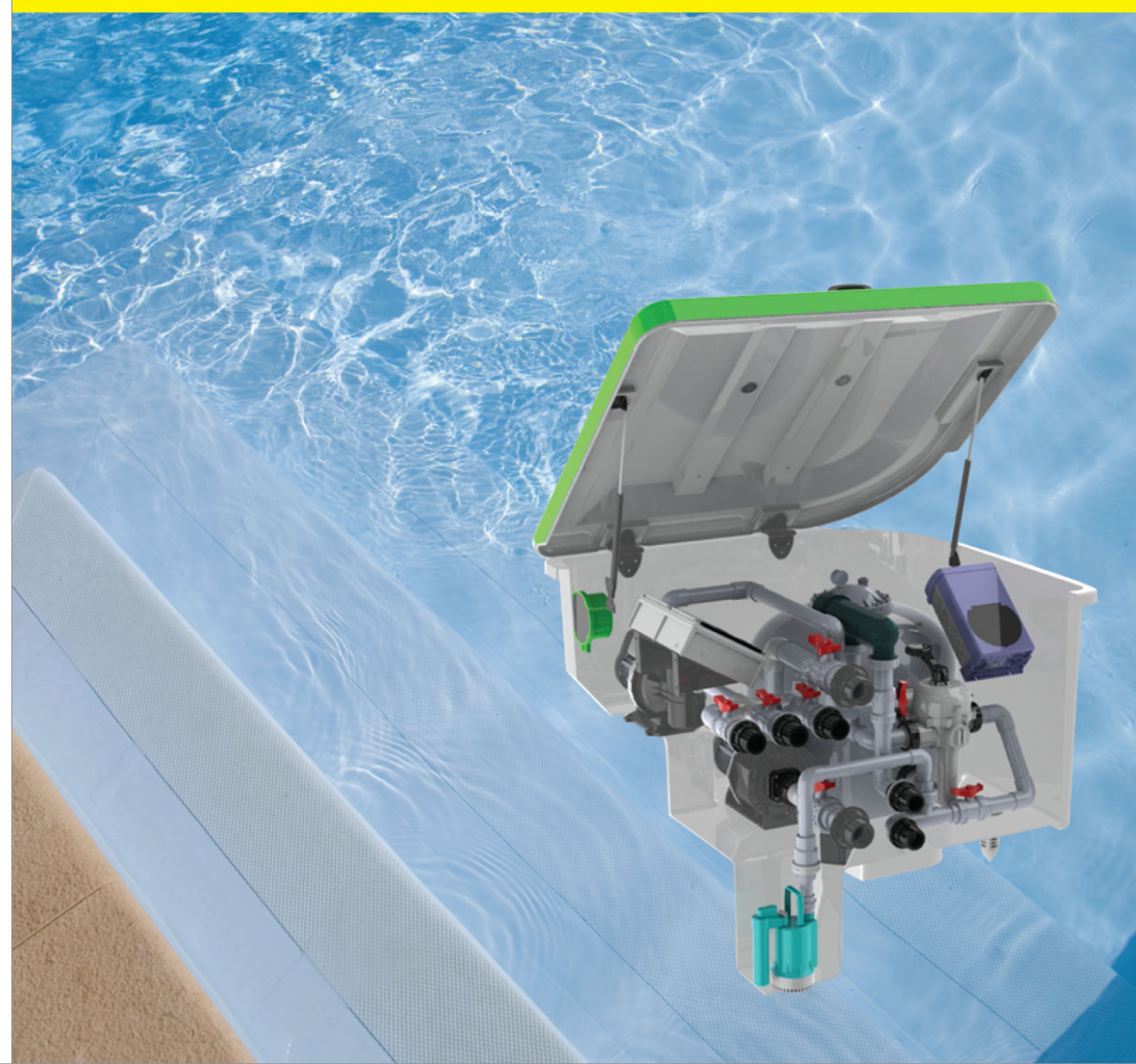


40/2 Soi 37/2, Kingkaew Road, Samutprakarn 10540, Thailand
Tel: +662-738-5088-99, +662-175-2561-65
Fax: +662-738 5299, +662-738-4209
Email: sales@poolspa.co.th, projects@poolspa.co.th
Website: www.poolspa.co.th

EMD Series In-Ground Filtration System By Emaux

with over 35 years of solid experience and expertise together with our devoted staffs, Emaux has evolved from a Swimming Pool and Spa Equipment manufacturer to a company that is focused in Water Technology. A company that provides solutions to clients in water related issues

Your solution in water technology





"EMD" Series In-ground Filtration Combo

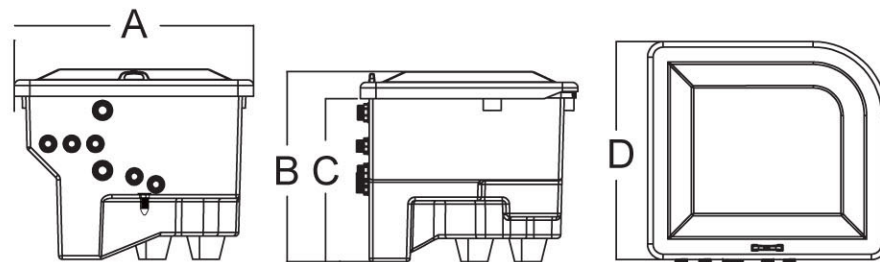
- The enclosure is made from glass fibre enhanced plastic is durable and resistive to corrosion, rust, low temperature and UV.
- Suitable for pools of different shapes and sizes. Selection of system components can be customized to your specific requirements.
- Timer-controlled automation eliminates the need(s) for manual power-on/off and professional staff for maintenance; when backwash is called for you just need to turn the 6-position multiport valve to clean up the sand filter, which makes it more convenient and environmental friendly than other filtration devices using filter pockets.
- The enclosure is water-tight and can drain water automatically.
- Eliminate the need(s) for building equipment rooms and installation, which saves much labour and time. Simple installation can be completed within hours.
- The system consists of a subsystem for filtration, hydraulic massage, sanitizing and lighting.
- Lights will turn on automatically when the cover is open, which makes it suitable for operation at dim condition.
- Equipped with salt water chlorinator, the most effective and widely used means for sanitization.

Technical Information

Model No	A mm	B mm	C mm	D mm
EMD-7	1330	1055	905	1210
EMD-11	1330	1055	905	1210
EMD-14	1330	1055	905	1210
EMD-18	1400	1220	1080	1340
EMD-22	1400	1220	1080	1340
EMD-25	1730	1315	1170	1630
EMD-32	1730	1315	1170	1630

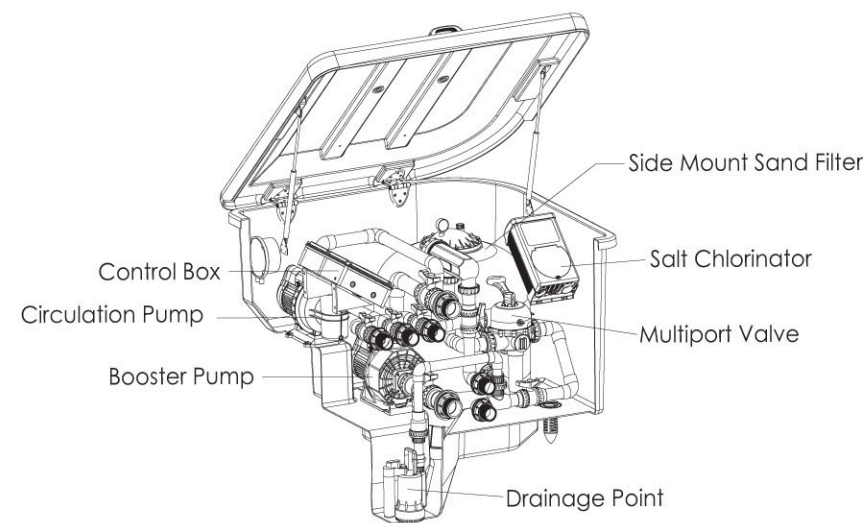
Note: Suggested sand weight varies with differences in filter media size. For reference only.

Product Dimension



Highlight Features:

- Suggested Installation: Domestic swimming pool
- Easy installation with pre-installed plumbing system with durable enclosure
- Simple operation with control box
- UV resistance for the top cover
- Max operating pressure 36psi / 2.5 bar
- Max temperature of 43° c (109° F)
- Suggested size of media : 0.5-0.8mm



Easy Installation
ติดตั้งง่ายและสะดวก



Pre-install Plumbing System
พร้อมระบบท่อวาล์ว



UV Resistance for Top Cover
ฝาปิดเคลือบพิเศษป้องกันแสง UV

