



Highlight Features:

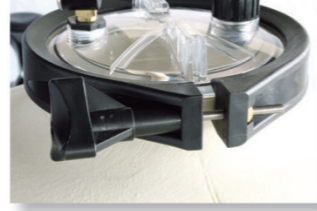
- Suggested Installation:
Domestic In-ground and above
ground pool / hot spa tub
- Max operating pressure 40 psi /
2.8 bar
- Max temperature of 50° c (122° F)
- Universal standard of union
connection provided
- ABS lateral provided
- Suggested size of media : 0.5-
0.8mm

Product Focus



- [1] Unique one-piece clamp with
screw-type lock designed to
simplify installation and allow
tool-free servicing.
- [2] Equipped with multiport valve
with 6-way functions
- [3] Easy-to-read pressure gauge
for easy inspection

Product Focus



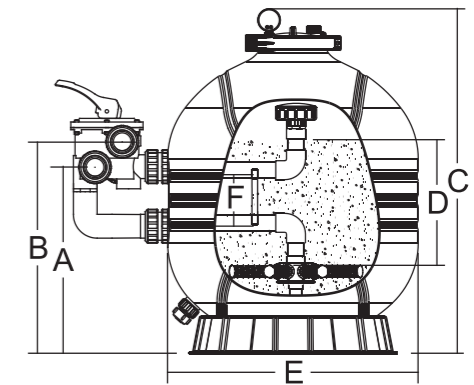
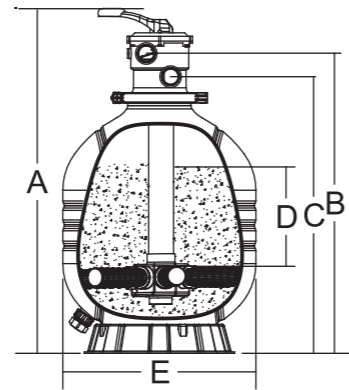
- [1] Unique one-piece clamp with
screw-type lock designed to
simplify installation and allow
tool-free servicing.
- [2] Equipped with multiport valve
with 6-way functions
- [3] Easy-to-read pressure gauge
for easy inspection

**Filter Max Series
Sand Filter
By Emaux**

with over 35 years of solid experience and expertise together with our devoted staffs, Emaux has evolved from a Swimming Pool and Spa Equipment manufacturer to a company that is focused in Water Technology. A company that provides solutions to clients in water related issues

Your solution in water technology





Filter Max Series Top Mount Filter

Features

EMAUX's innovative design and advanced technology offer superior filtration performance and crystal clear water. Max filters are blown at one-piece with high density polyethylene for its heavy duty performance and reliability.

Technical Information

Code	Model No	Filter Area(m ²)	Valve Connections	Max Flow Rate	Sand(kg)
88012526	MFV17	0.14	1.5 inch 50mm	117lpm 7.0m ³ /h	40
88012527	MFV20	0.20	1.5 inch 50mm	167lpm 10.0m ³ /h	70
88012528	MFV24	0.28	1.5 inch 50mm	233lpm 14.0m ³ /h	125
88012529	MFV27A	0.36	1.5 inch 50mm	240lpm 14.4m ³ /h	185
88012530	MFV27	0.36	2.0 inch 63mm	300lpm 18.0m ³ /h	185
88012531	MFV31A	0.47	1.5 inch 50mm	313lpm 18.8m ³ /h	320
88012532	MFV31	0.47	2.0inch 63mm	392lpm 23.5m ³ /h	320
88012533	MFV35	0.61	2.0 inch 63mm	508lpm 30.5m ³ /h	430

Note: Suggested sand weight varies with differences in filter media size. For reference only.

Product Dimension

Model No	A mm	B mm	C mm	D mm	E mm
MFV17	816	695	625	195	425
MFV20	889	772	712	225	500
MFV24	980	860	800	280	600
MFV27A	1081	963	903	300	675
MFV27	1133	976	910	300	675
MFV31A	1126	1008	948	370	775
MFV31	1178	1021	955	370	775
MFV35	1296	1139	1073	440	875

Filter Max Series Side Mount Filter

Features

EMAUX's innovative design and advanced technology offer superior filtration performance and crystal clear water. Max Series filters are blown at one-piece with high density polyethylene for its heavy duty performance and reliability.

Technical Information

Code	Model No	Filter Area(m ²)	Valve Connections	Max Flow Rate	Sand(kg)
88012626	MFS17	0.14	1.5 inch 50mm	117lpm 7.0m ³ /h	40
88012627	MFS20	0.20	1.5 inch 50mm	167lpm 10.0m ³ /h	70
88012628	MFS24	0.28	1.5 inch 50mm	233lpm 14.0m ³ /h	125
88012629	MFS27A	0.36	1.5 inch 50mm	240lpm 14.4m ³ /h	185
88012630	MFS27	0.36	2.0 inch 63mm	300lpm 18.0m ³ /h	185
88012631	MFS31A	0.47	1.5 inch 50mm	313lpm 18.8m ³ /h	320
88012632	MFS31	0.47	2.0inch 63mm	392lpm 23.5m ³ /h	320
88012633	MFS35	0.61	2.0 inch 63mm	508lpm 30.5m ³ /h	430

Note: Suggested sand weight varies with differences in filter media size. For reference only.

Product Dimension

Model No	A mm	B mm	C mm	D mm	E mm	F mm
MFS17	354.5	417.5	670	195	425	125
MFS20	396.3	549.3	760	225	500	125
MFS24	429.5	492.5	825	280	600	125
MFS27A	480.0	543.0	946	300	675	125
MFS27	459.5	545.5	946	300	675	130
MFS31A	505.5	568.5	968	370	775	125
MFS31	508.0	594.0	968	370	775	130
MFS35	564.0	650.0	1086	440	875	130