

Harvia Vega product family



Harvia Vega – Easy-to-use novelties!

Harvia Vega product family consists of elegant novelties that are easy-to-use. The stainless steel outer casing of the heaters gives your sauna a modern look.

HARVIA
Natural well-being.



Vega Compact

Vega Compact is a powerful package for a small sauna. It is an efficient heater with a large stone space. Vega Compact is easy to use, because the operating switches are placed ergonomically in the upper part of the heater. The heater can be mounted very low on the sauna wall so it provides heat for the lower benches as well.

Harvia Vega Compact is easy to install. Just mount the rack to the wall, lift the heater to the wall rack and fix it on to it with one screw. Also maintenance is easy, for example it is not needed to remove the heater from the wall rack while changing the heating elements.

The Vega Compact models BC23 and BC35 are equipped with a built-in control unit. The models BC23E and BC35E are controlled by a separate Harvia control unit.

Vega

Vega is easy to use because the operating switches are placed ergonomically on the side of the heater. Vega is also easy to mount on a separate wall rack. The right- or left-handedness of the heater can be changed by mounting the heater to the wall rack correspondingly. Vega can be mounted very low on the sauna wall so it provides heat for the lower benches as well.

The Vega models BC45, BC60, BC80 and BC90 are fitted with built-in control unit. The Vega models BC45E, BC60E, BC80E and BC90E are controlled by a separate control unit.



Vega Combi

Vega Combi is a combined electric heater and a steamer that provides different sauna pleasures. You can choose between traditional sauna, steam sauna, herbal sauna and fragrant sauna.

The Vega Combi heaters are controlled by a separate control unit. Vega Combi models are BC60SE and BC90SE. Automatic filling of the water tank is standard on the models BC60SEA and BC90SEA.



Vega Pro

Vega Pro is a stylish and efficient floor-mounted electric heater that is suitable for family saunas as well as public saunas in clubs, wellness centres, hotels, holiday resorts and indoor swimming pools.

The Vega Pro models BC105, BC135 and BC165 are controlled by a separate control unit.

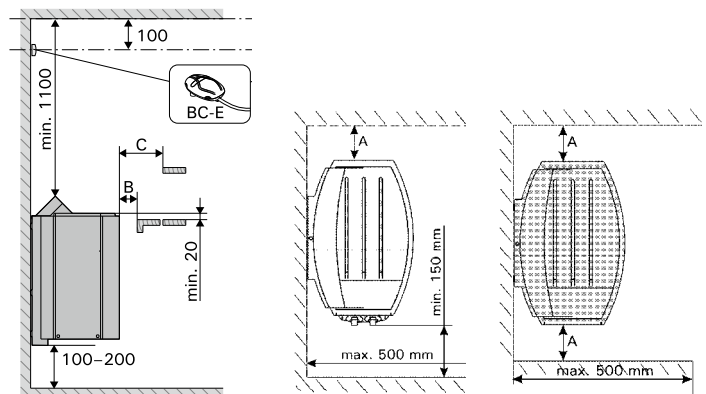
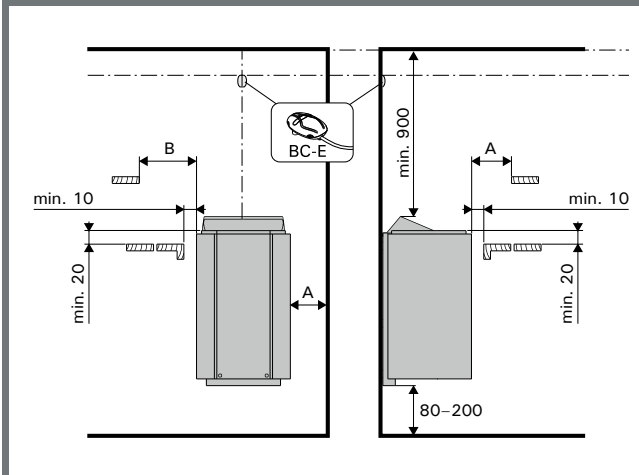


Technical information

Model	Output kW	Sauna room m ³	Stone capacity max kg	Connecting cable 400 V 2N ~	Fuse A	Connecting cable 230 V 1N ~	Fuse A	Safety distances			
								A min mm	A max mm	B min mm	C min mm
BC23, BC23E	2,3	1,3–2,5	12	4 x 1,5	2 x 10	3 x 1,5	1 x 10	10	-	20	-
BC35, BC35E	3,5	2–4,5	12	4 x 1,5	2 x 10	3 x 2,5	1 x 16	20	-	30	-
Model	Output kW	Sauna room m ³	Stone capacity max kg	Connecting cable 400 V 3N ~	Fuse A	Connecting cable 230 V 1N ~	Fuse A	A min mm	A max mm	B min mm	C min mm
BC45, BC45E	4,5	3–6	25	5 x 1,5	3 x 10	3 x 2,5	1 x 20	35	-	20	35
BC60, BC60E	6,0	5–8	25	5 x 1,5	3 x 10	3 x 6	1 x 35	50	-	30	50
BC80, BC80E	8,0	7–12	25	5 x 2,5	3 x 16	3 x 6	1 x 35	100	-	30	80
BC90, BC90E	9,0	8–14	25	5 x 2,5	3 x 16	-	-	120	-	40	100
BC60SE(A)	6,0	5–8	20	7 x 1,5	3 x 10	-	-	50	-	50	-
BC90SE(A)	9,0	8–14	20	7 x 2,5	3 x 16	-	-	120	-	100	-
BC105	10,5	9–15	50	5 x 2,5	3 x 16	-	-	50	150	50	1250
BC135	13,5	11–20	50	5 x 2,5	3 x 20	-	-	80	180	80	1450
BC165	16,5	16–30	50	5 x 2,5	3 x 25	-	-	100	200	100	1450

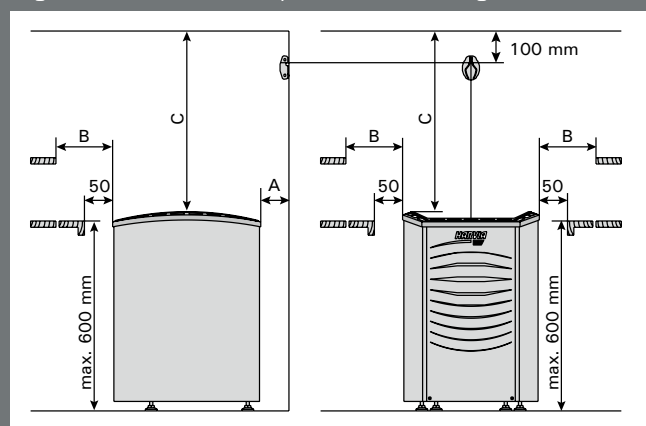
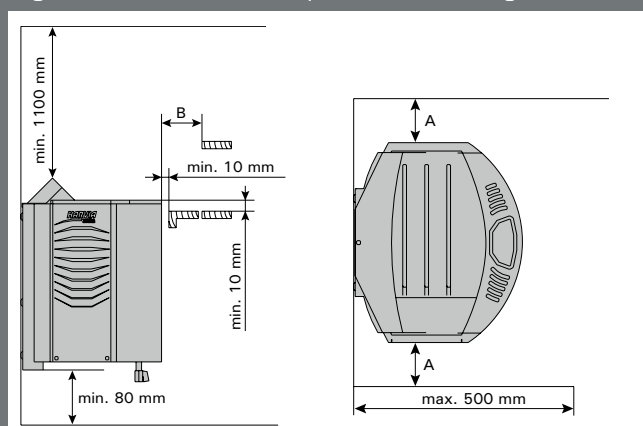
Vega Compact: width 280 mm, depth BC 295 mm and BCE 270 mm, height 505 mm.

Vega: width BC 480 mm and BCE 450 mm, depth 310 mm, height 540 mm.



Vega Combi: width 450 mm, depth 385 mm and height 560 mm.

Vega Pro: width 435 mm, depth 470 mm and height 640 mm.



Local dealer:

HARVIA
Natural well-being.

Contact information:

Harvia Ltd., P.O. Box 12, FI-40951 Muurame, FINLAND
Tel. +358 207 464 000, Fax +358 207 464 090
harvia@harvia.fi, www.harviasauna.com