

Series TBS

SERIES TBS air switches are single function controls that provide safe actuation of electrical devices from remote locations. These basic component switches are available with either momentary or alternate action switching logic. Their compact design makes them ideal for use in applications where size is a primary consideration. TBS300 models feature a center spout for connecting tubing while the TBS400 models feature a side spout connector. TBS3200 models employ a metal fitting adapter which allows the tubing to be clamped to the fitting while TBS3300 models are equipped with a 1/8" NPT pressure connection base pan. The TBS300 and TBS400 units are designed with a dual spout pressure connector accepting either 1/8" ID or 1/16" ID flexible plastic or rubber tubing. The TBS3200 connector is suitable for 1/8" I.D. or 3/16" I.D. tubing. Electrical connections on all TBS configurations are made via 1/4" male quick connect terminals. Series TBS air switches are designed to provide superior performance when used in conjunction with Tecmark® LetricAir® pressure transmitters. They are designed and engineered to exceed 100,000 cycles under full mechanical, electrical and thermal loads.

TYPICAL APPLICATIONS:

Series TBS air switches provide on/off switching for a large variety of electrical devices including motors, lights, pumps, air blowers, or other associated equipment.

BASIC CONSTRUCTION:

- 1/4" quick connect electrical terminals
- Silicone diaphragm material
- Durable thermoplastic construction
- Through-panel or surface mounting
- UL Recognized, Canadian and United States, as an operating control
- Switches available with international approvals

AVAILABLE FEATURES:

- SPST, SPDT, DPST, or DPDT terminal configurations
- Momentary or alternate action switching logic
- Standard or 90° electrical terminals
- Models available with or without wiring enclosure
- TBS400 spout/pressure connector can be factory oriented in 15° increments
- Alternative diaphragm materials available

RATINGS AND SPECIFICATIONS:

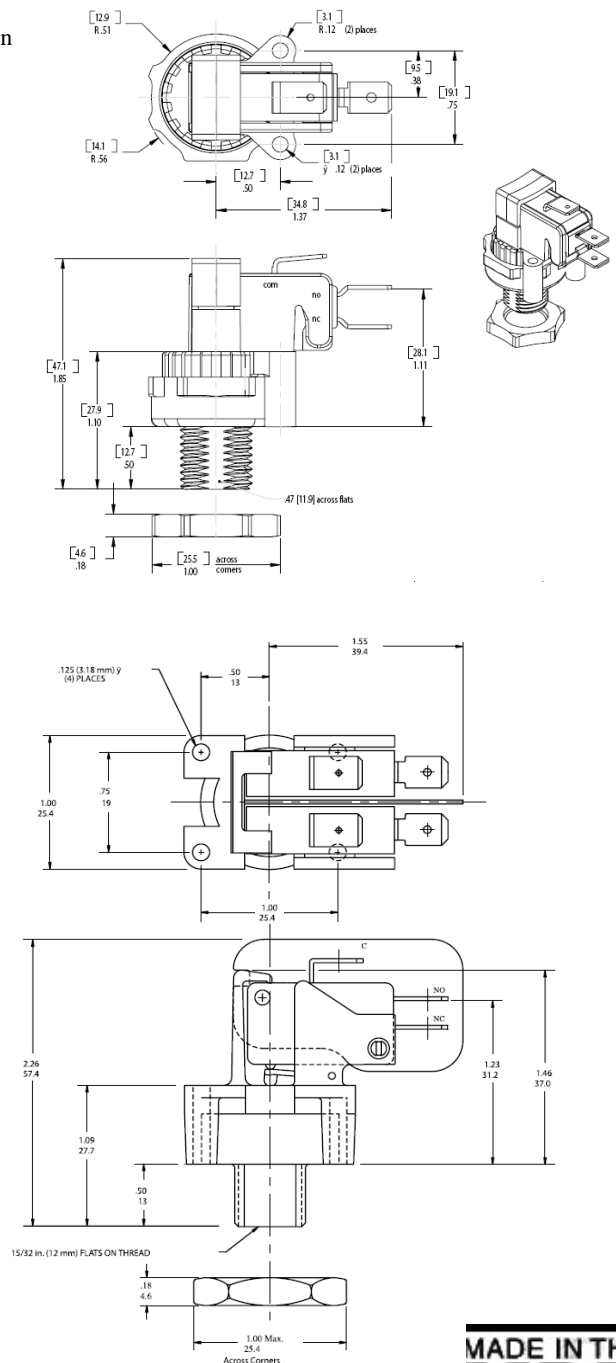
- Electrical ratings to 25 amp, 240 VAC
- Field tested critical components specifically selected to operate reliably in temperature extremes of -40° to 180° F (-40°C to 82°C)
- Plastic case materials suitable in applications up to 266°F (130°C)
- 100,000+ cycle life under full mechanical, electrical and thermal loads

DESIGN FLEXIBILITY:

Tecmark's manufacturing philosophy is unique. In an effort to provide you with a product that is most suited to your application, Series TBS air switches incorporate numerous interchangeable components for the ultimate in design flexibility. This means a product tailored to your needs without the high price and long lead times associated with custom manufacturing. If you have a need and don't see the features you require, please ask us



TBS300



Series MPT

Series MPT transmitters are an essential component in Tecmark's pneumatic switching technology, LectricAir®, which safely isolates the user from the electrical current. The Series MPT air transmitters provide the pulse air pressure needed to operate a remote air switch. The compact and efficient features of these transmitters are designed for hand actuation and can operate Tecmark® component switches from distances of up to 100 feet. Superior quality construction makes Series MPT transmitters suitable for environments up to 200° F. Series MPT transmitters incorporate EPDM bellows material which is impervious to ozone and ideal for use around chemically treated water. Their mechanical life expectancy far exceeds industry acceptable standards. Series MPT transmitters feature interchangeable metal or plastic buttons & bezels and are available in a large variety of colors and finishes (consult factory).

TYPICAL APPLICATIONS:

Series MPT transmitters provide the air pressure needed to activate remote air switches which turn a variety of electrical devices on/off including motors, lights, pumps, air blowers, or other associated equipment.

BASIC CONSTRUCTION – SERIES MPT:

- Field tested critical components specifically selected to operate reliably in temperature extremes of -40° to 200° F (-40° C to 93° C)
- 100,000+ cycle life under full mechanical and thermal loads
- EDPM bellows material
- Mounting through materials from 1/16" to 5/8" thick
- Connector accepts 1/8" or 3/16" I.D. flexible plastic or rubber tubing
- Bottom accepts 1/2" PVC conduit
- Unique check valve eliminates pump down
- High impact thermoplastic construction

AVAILABLE FEATURES – SERIES MPT:

- Auxiliary fitting accommodates direct venting of check valve system when used in foam insulated applications
- Cylinder assembly sold separately
- Button and bezel kit sold separately
- Extender kit is available that can accommodate mounting thickness up to 1-1/2"
- Interchangeable button and bezel kits in a large variety of colors and finishes

DESIGN FLEXIBILITY:

Tecmark's manufacturing philosophy is unique. In an effort to provide you with a product that is most suited to your application, Tecmark® transmitters incorporate interchangeable components for the ultimate in design flexibility. This means a product tailored to your needs without the high price and long lead times associated with custom manufacturing. If you have a need and don't see the features you require, please ask us!



Series MPT Air Transmitter

Series MPT

