



Various Accessories For
Emaux Counter Current Jet



Counter Current Jet
Control Box (220V/380V)



AFS Series Spa
Pump



SR Series Pump

Working Temperature	-20~+40° c
Input	AC220V
	AC380V
Output(Light)	AC 12V, 1W
Output(Pump)	AC 220V/50Hz, 4.4kW
	AC 380V/50Hz, 4kW



Air Switch &
Air Venturi Hose

Ordering Details

Code	Model No	Description
88093212	EM0055	Counter Current Jet W/LED light RGB
88093412	EM0055	Counter Current Jet W/LED light white
08080020	SWJ-CB	Counter Current Jet Control Box 220V
08080021	SWJ-CB	Counter Current Jet Control Box 380V
89090101	N/A	Piping Kit for AFS40 & AFS55 pump
89090102	N/A	Piping Kit for 1 x SR30 pump
89090103	N/A	Piping Kit for 2 x SR30 pump



40/2 Soi 37/2, Kingkaew Road, Samutprakarn 10540, Thailand
Tel: +662-738-5088-99, +662-175-2561-65
Fax: +662-738 5299, +662-738-4209
Email: sales@poolspa.co.th, projects@poolspa.co.th
Website: www.poolspa.co.th

Photos are for reference only, contents are subject to change without prior notice.

Counter Current System By Emaux

with over 35 years of solid experience and expertise together with our devoted staffs, Emaux has evolved from a Swimming Pool and Spa Equipment manufacturer to a company that is focused in Water Technology. A company that provides solutions to clients in water related issues

Your solution in water technology



Endless no-lap
swimming counter
current system



Counter Current Jet

Perfect for smaller pools where space is limited, a counter current jet system can ensure a decent swim for swimmers of all levels.

Applications

For fitness training, underwater massage and endless no-lap swimming and unnecessary tumble turns.

Features

- Powerful counter current.
- Product can be used as a single or double jet system with one or two pumps.
- Counter current face plate with LED Light.
- On/Off light switch mounted on the jet face plate, easy access when you're in the water.
- Adjust the valve to control the bubble effect.
- Water flow can be changed through the rotating jet.

Technical Information

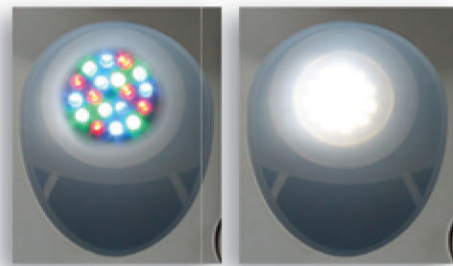
Water Pump Selection	Qmax		Hmax (m)	V/Hz	Power	
	m³/h	l/min			KW	HP
With one AFS40 pump	75	1300	13	380/50	3.00	4.0
With one AFS55 pump	90	1500	17.5	380/50	4.00	5.5
With one SR30 pump	28	480	20	220/50	2.18	3.0
With two SR30 pump	50	850	25	220/50	2x2.18	2x3.0



Adjustable Nozzle

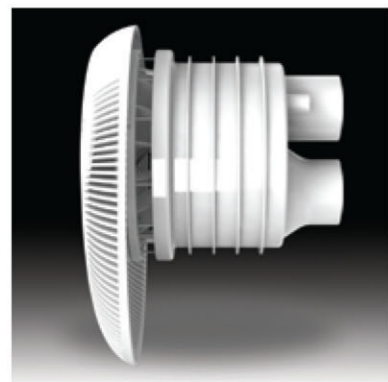


Under Water On/Off Switch

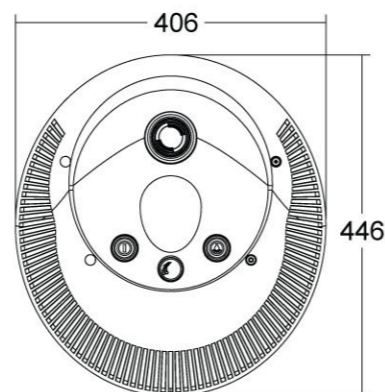
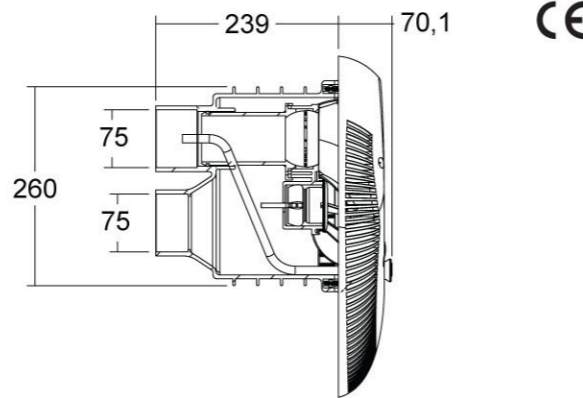


RGB Color Water Light

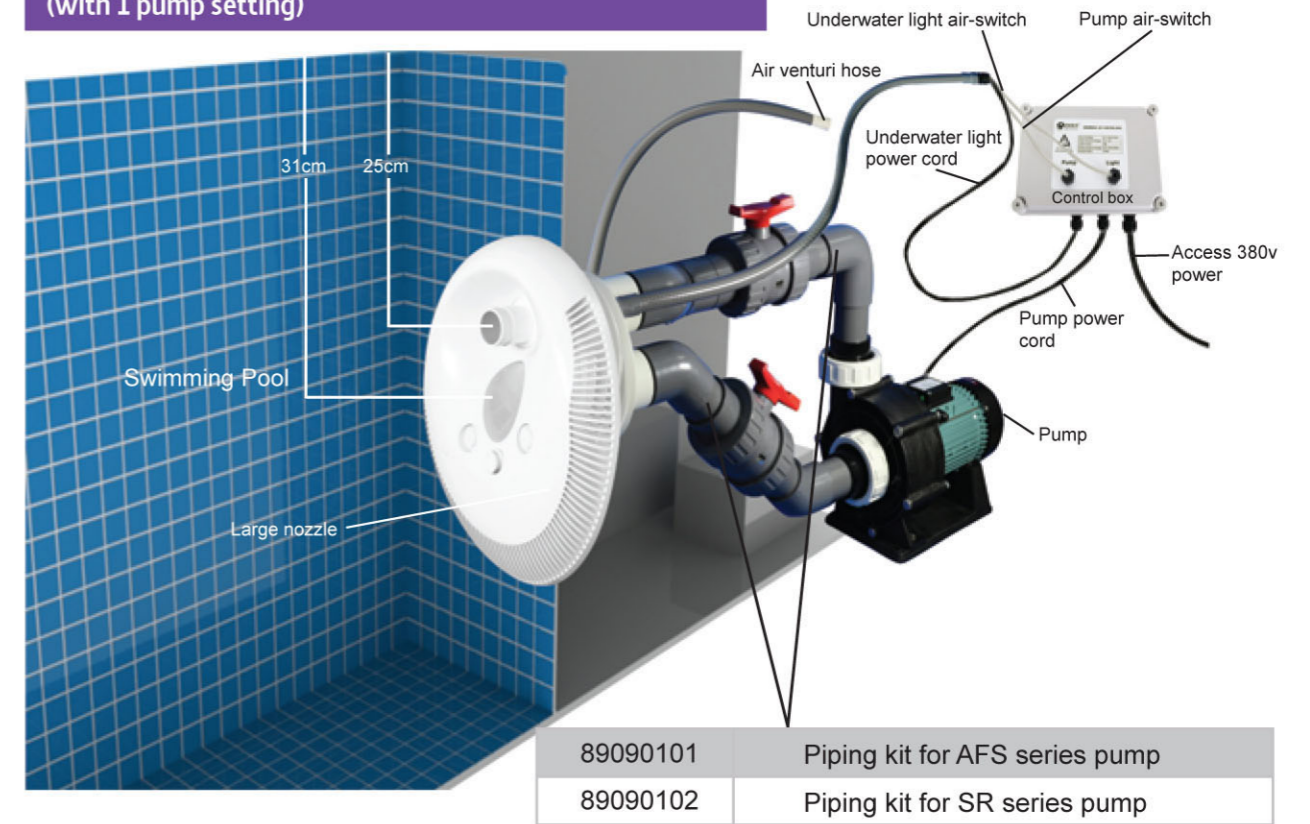
LED White Water Light



Durable ABS Structure



Counter Current Jet System Installation (with 1 pump setting)



Counter Current Jet System Installation (with 2 pumps setting)

