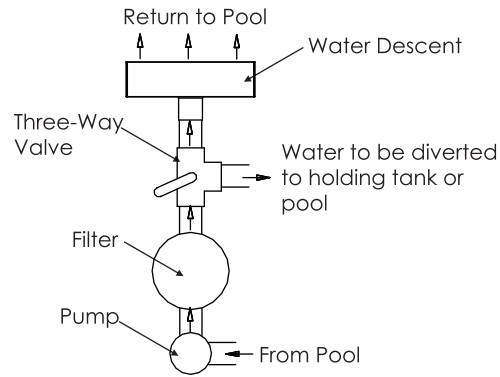
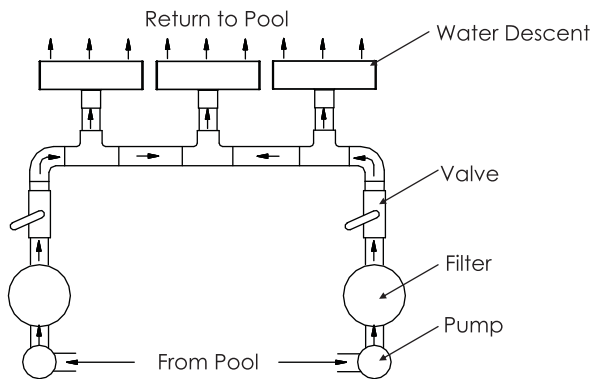
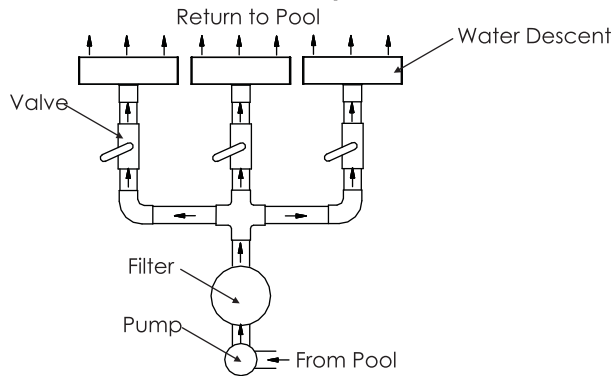


INSTALLATION FOR PIPING SINGLE UNIT WITH BALL VALVE.

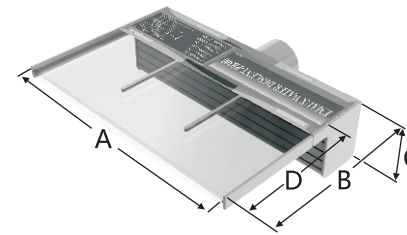


MULTIPLE UNITS WITH BALL VALVE. (IT IS BEST TO VALVE EACH UNIT)



Warning: Only filtered water should be used with this product, otherwise clogging within the product may occur and cause leakage.

WATER DESCENT



*** Read this manual carefully and keep this manual safe for future reference**

- Installation must be done in compliance to your local ordinances and national regulations
- Installation to be made by authorised personnel only (E.G. licenced engineers, electrician and so on)
- Only filtered water should be used with this product, otherwise clogging within the product may occur and cause leakage.

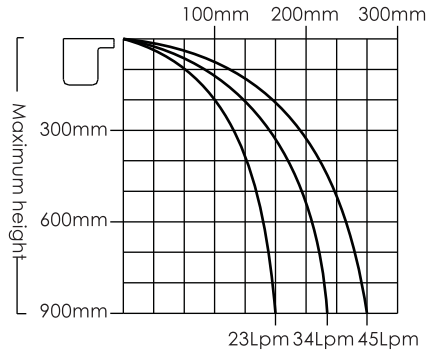
DIMENSION

CODE	MODEL NO.	A B C D				LED	TYPE OF WALL INSTALLATION
		(mm)					
88480101	PB300-25(L)	306	138	76	25	4W DC 12V	Existing wall
88480102	PB300-150(L)	306	263	76	150	4W DC 12V	New feature wall(brick)
88480103	PB300-230(L)	306	343	76	230	4W DC 12V	New feature wall(limestone)
88480111	PB600-25(L)	606	138	76	25	8W DC 12V	Existing wall
88480112	PB600-150(L)	606	263	76	150	8W DC 12V	New feature wall(brick)
88480113	PB600-230(L)	606	343	76	230	8W DC 12V	New feature wall(limestone)
88480121	PB900-25(L)	906	138	76	25	12W DC 12V	Existing wall
88480122	PB900-150(L)	906	263	76	150	12W DC 12V	New feature wall(brick)
88480123	PB900-230(L)	906	343	76	230	12W DC 12V	New feature wall(limestone)
88480131	PB1200-25(L)	1206	138	76	25	17W DC 12V	Existing wall
88480132	PB1200-150(L)	1206	263	76	150	17W DC 12V	New feature wall(brick)
88480133	PB1200-230(L)	1206	343	76	230	17W DC 12V	New feature wall(limestone)
88485001	PB300-25	306	138	76	25	/	Existing wall
88485002	PB300-150	306	263	76	150	/	New feature wall(brick)
88485003	PB300-230	306	343	76	230	/	New feature wall(limestone)
88485011	PB600-25	606	138	76	25	/	Existing wall
88485012	PB600-150	606	263	76	150	/	New feature wall(brick)
88485013	PB600-230	606	343	76	230	/	New feature wall(limestone)
88485021	PB900-25	906	138	76	25	/	Existing wall
88485022	PB900-150	906	263	76	150	/	New feature wall(brick)
88485023	PB900-230	906	343	76	230	/	New feature wall(limestone)
88485031	PB1200-25	1206	138	76	25	/	Existing wall
88485032	PB1200-150	1206	263	76	150	/	New feature wall(brick)
88485033	PB1200-230	1206	343	76	230	/	New feature wall(limestone)

* Inlet size:1.5"/50mm

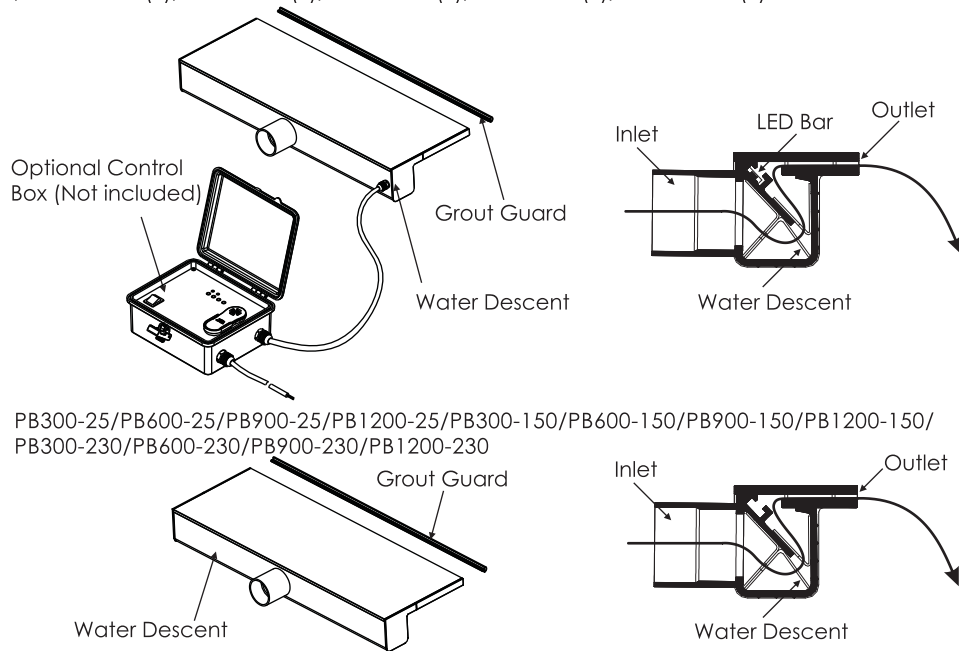
Emaux Water Descents were designed to cater a wide range of sizes to suit various wall lengths and widths. They are suited for existing and new feature wall installation. The "Clear Overflow" construction requires no painting or no special covering to the face of the feature wall as can be easily tucked away. The "Clear Overflow" allows it to blend to your feature wall regardless of composition. The Emaux Water Descent will provide you with peaceful and relaxing sound of a running waterfall.

APPROXIMATE PROJECTION OF SHEET OF WATER PER 300MM OF WATERFALL LENGTH



SPECIFICATION

PB300-25(L)/PB600-25(L)/PB900-25(L)/PB1200-25(L)/PB300-150(L)/PB600-150(L)/PB900-150(L)/PB1200-150(L)/PB300-230(L)/PB600-230(L)/PB900-230(L)/PB1200-230(L)



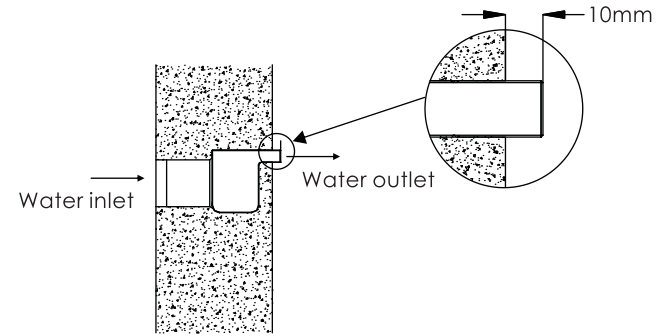
PB300-25/PB600-25/PB900-25/PB1200-25/PB300-150/PB600-150/PB900-150/PB1200-150/
PB300-230/PB600-230/PB900-230/PB1200-230

**⚠ Important: Do not remove Grout Guard until the installation is complete
Do not leave unit in direct sunlight for long periods of time**

INSTALLATION FOR WATER DESCENT

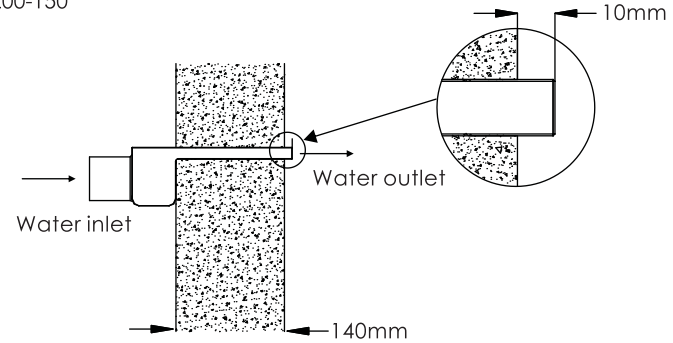
EXISTING BUILT WALLS

PB300-25(L)/PB600-25(L)/PB900-25(L)/PB1200-25(L)/PB300-25/PB600-25/PB900-25/PB1200-25



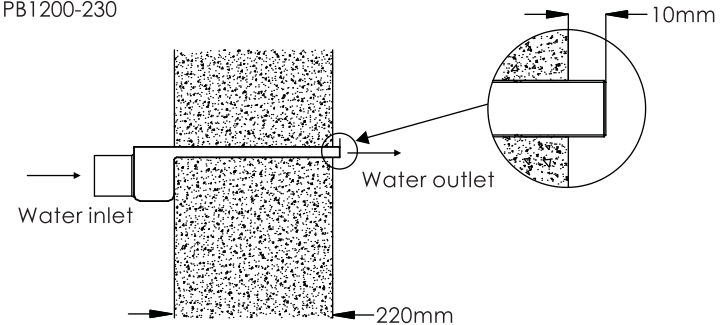
SINGLE BRICK WALLS DURING CONSTRUCTION

PB300-150(L)/PB600-150(L)/PB900-150(L)/PB1200-150(L)/PB300-150/PB600-150/PB900-150/
PB1200-150

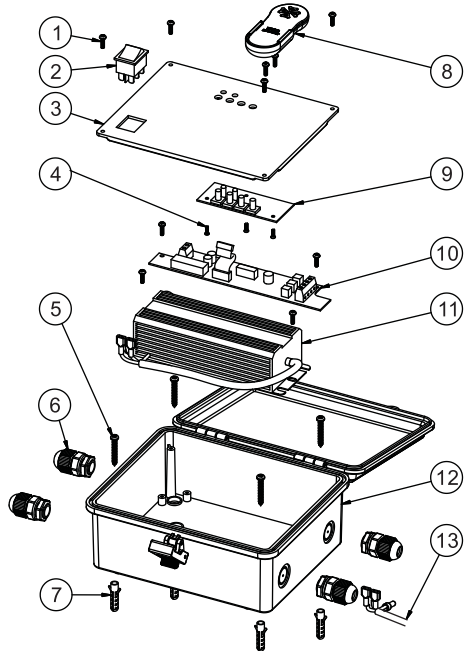


LIMESTONE BLOCK WALLS DURING CONSTRUCTION

PB300-230(L)/PB600-230(L)/PB900-230(L)/PB1200-230(L)/PB300-230/PB600-230/PB900-230/
PB1200-230



PART LIST



Item No.	Part No.	Product Description	QTY
1	03011007	M4×12 Screws	8
2	04014054	Lighted Switch	1
3	01360015	Panel Board	1
4	03011196	M3×6 Screws	5
5	03011023	M5×35 Screws	4
6	04014013	Cable Gland	4
7	87013019	Plastic Fitting	4
8	89480103	Remote control with Battery	1
9	04014094	Control Panel Cover	1
10	04014095	Control Panel	1
11	04012082	Transformer with Wiring Cap	1
12	89480101	Control Box	1
13	89480102	Cable with Wiring Cap	1

WATER DESCENT CONTROL BOX

Model: WTD-CB

Keep this manual safe for future reference

APPLICABLE FOR EMAUX WATER DESCENTS:

PB300-25(L)/PB600-25(L)/PB900-25(L)/PB1200-25(L)
 PB300-150(L)/PB600-150(L)/PB900-150(L)/PB1200-150(L)
 PB300-230(L)/PB600-230(L)/PB900-230(L)/PB1200-230(L)



Warning:

This electrical control box must be installed by a licensed or certified electrician or a qualified serviceman in accordance to the requirements of your government standard or local authorities. Improper installation will create electric hazards which could result in serious injury, death as well as damage to the property.

CUT THE POWER BEFORE SERVICE AND MAINTAINANCE!

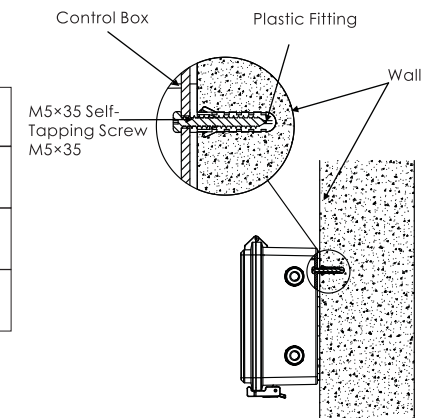
INSTALLATION EXPLAIN

- 1) Remove the Panel from the Control Box, position the box to the desired fitting place and mark on the wall with the location of the drilled holes, then drill 4 holes of ø8mm on the marked position and insert a plastic fitting, secure the box by fastening 4 screws of M5x35 to the plastic fittings(See diagram below).
- 2) Feed the LED lights Cable through the cable gland(s) and connect the cable as shown in the Control Box Wiring Diagram. Reassemble the panel cover and secure the Panel by fastening 4 screws of M4x12.
- 3) If multiple Water Descents are being installed, the pre-set holes on the side of the Control Box can be used.

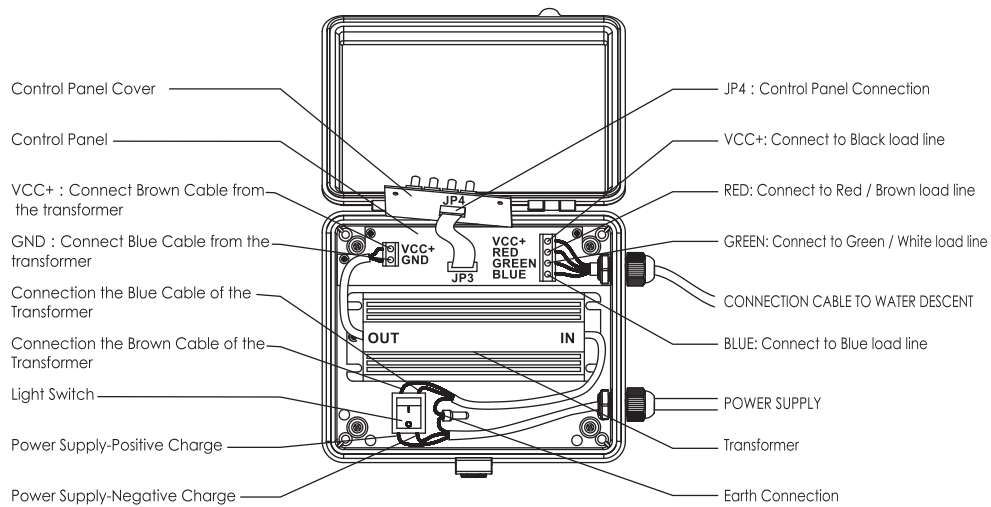
CONTROL BOX INSTALLATION DIAGRAM

SPECIFICATIONS

Working Temperature	-20~+40°C
Input	AC 100-240V; 50/60Hz
Output	DC 12V, 60W
Frequency RF	433MHz



CONTROL BOX WIRING DIAGRAM



⚠ Warning: load of the control box should not exceed 60W.

CONTROLS INDEX

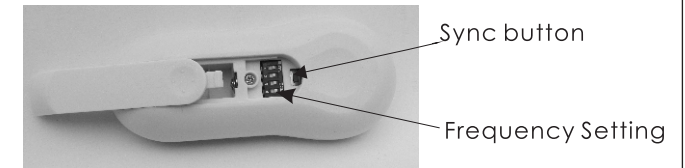
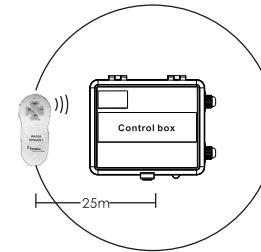


PATTERN TABLE

No.	PATTERNS	REMARKS
1	Static white	
2	Static blue	
3	Static green	
4	Static cyan	
5	Static purple	
6	Static yellow	
7	Three-color change	Red, Green, Blue
8	Seven-color change	White, Red, Yellow, Blue, Green, Cyan, Purple
9	Seven-color gradual change(Fast)	White, Red, Yellow, Blue, Green, Cyan, Purple
10	Seven-color gradual change(Slow)	White, Red, Yellow, Blue, Green, Cyan, Purple

Setting of the Remote Control

Operation distance for the remote control is 25m.



Each control box is associated with a remote control. To use a single remote to control a multiple number of control boxes, you would need to configure the Frequency at the back of the remote control. The Frequency of the Remote would then need to be synced with all the control boxes.

- Slide open the back of Remote Control
- Set the Frequency
- Turn on Control Box(es)
- Sync the Remote to the Control Box(es)
- Press the Sync Button until the lights on the Control Boxes turn on

If you have multiple control boxes and you want to use a remote control for a specific control box, you must set the Frequency on the remote control to a unique combination.

- Slide open the back of Remote Control
- Set a unique Frequency on the Remote Control
- Turn on the Control Box associated with that particular Remote Control
- Sync the Remote to the Control Box
- Press the Sync Button until the lights on the Control Box turn on
- Once synced, turn off the control box and move to the next set of Control Box and Remote. Repeat above steps.