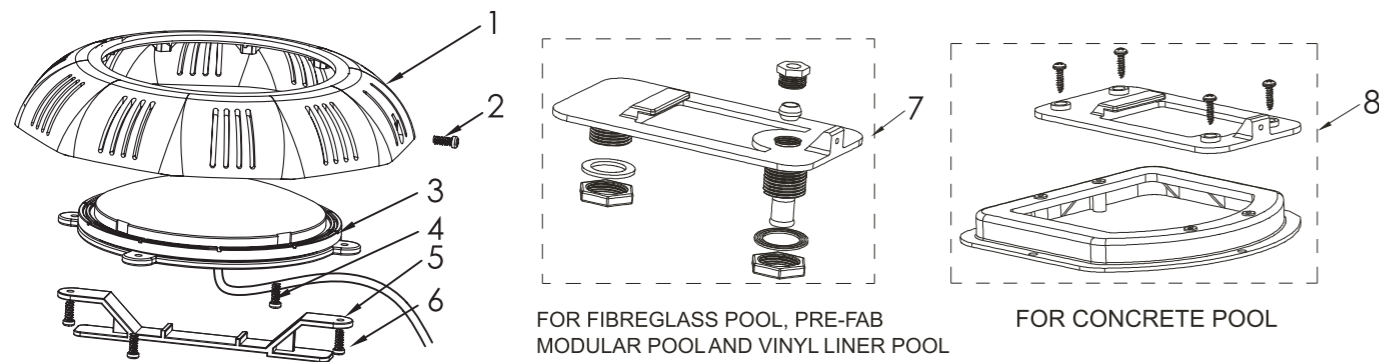


REPLACEMENT PARTS

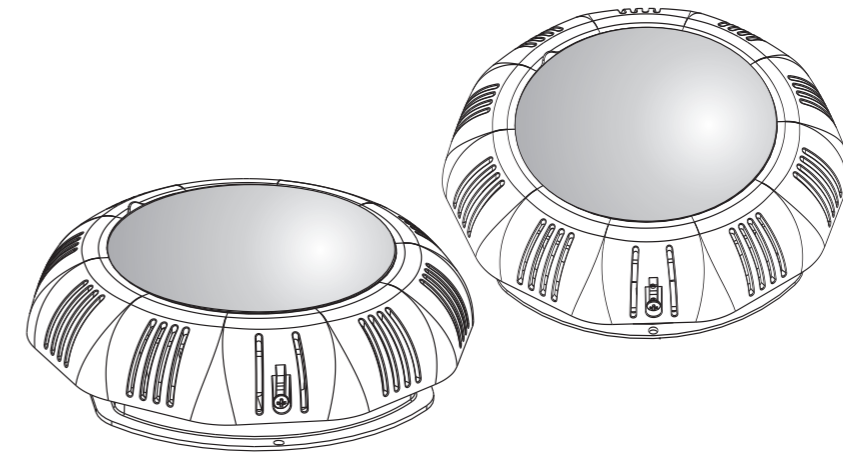
Item	Part No.	Description English	Qty
1	01050119	LED-TP100 Lights Face Plate	1
2	03011364	M4*12 Screw	1
3	89041403	Bulb Plate (Automatic Colour-Changing)12V/8W LED	1
	89041402	Bulb Plate (White Colour Only)12V/8W LED	1
4	03011364	M4*12 Screw	2
5	01012005	LED-TP100 Light Bracket	1
6	03011363	M4*16 Screw	2
7	89040401	LED-TP100 Lights Vinyl pool fitting	1
8	89040501	LED-TP100 Lights Concrete pool fitting	1



WARNING

- ⚠ Never operate this Underwater Light for more than 10 seconds unless it is totally submerged in water. Without total submersion, the light assembly will get extremely hot, which may result in serious injury to pool users, installers, or bystanders, or in damage to property.
- ⚠ Be sure power is off before installing or removing lamp. Allow lamp to cool before relamping. This light fixture uses a Halogen Quartz lamp. Do Not touch lamp with bare hand, this may severely reduce its life. Use the plastic furnished with the replacement lamp to eliminate finger prints from getting on lamp.

LED-TP100 Series Underwater Light Operating Procedures



**PLEASE READ THE FOLLOWING CAREFULLY AND
KEEP THIS USER MANUAL SAVE FOR FUTURE REFERENCE**

DANGER !

RISK OF ELECTRICAL SHOCK OR ELECTROCUTION

This underwater light fixture must be installed by a licensed or certified electrician or a qualified serviceman in accordance to the requirements of your government standard or local authorities. Improper installation will create electric hazards which could result in serious injury, death as well as damage to the property. Before servicing the light, disconnect the power supply from the circuit breaker. Failure to do so could result in serious injury, death and or damage to the property.

INSTALLATION

A) Preparatory steps which must be completed by the electrician before light is installed, see Figure 1.

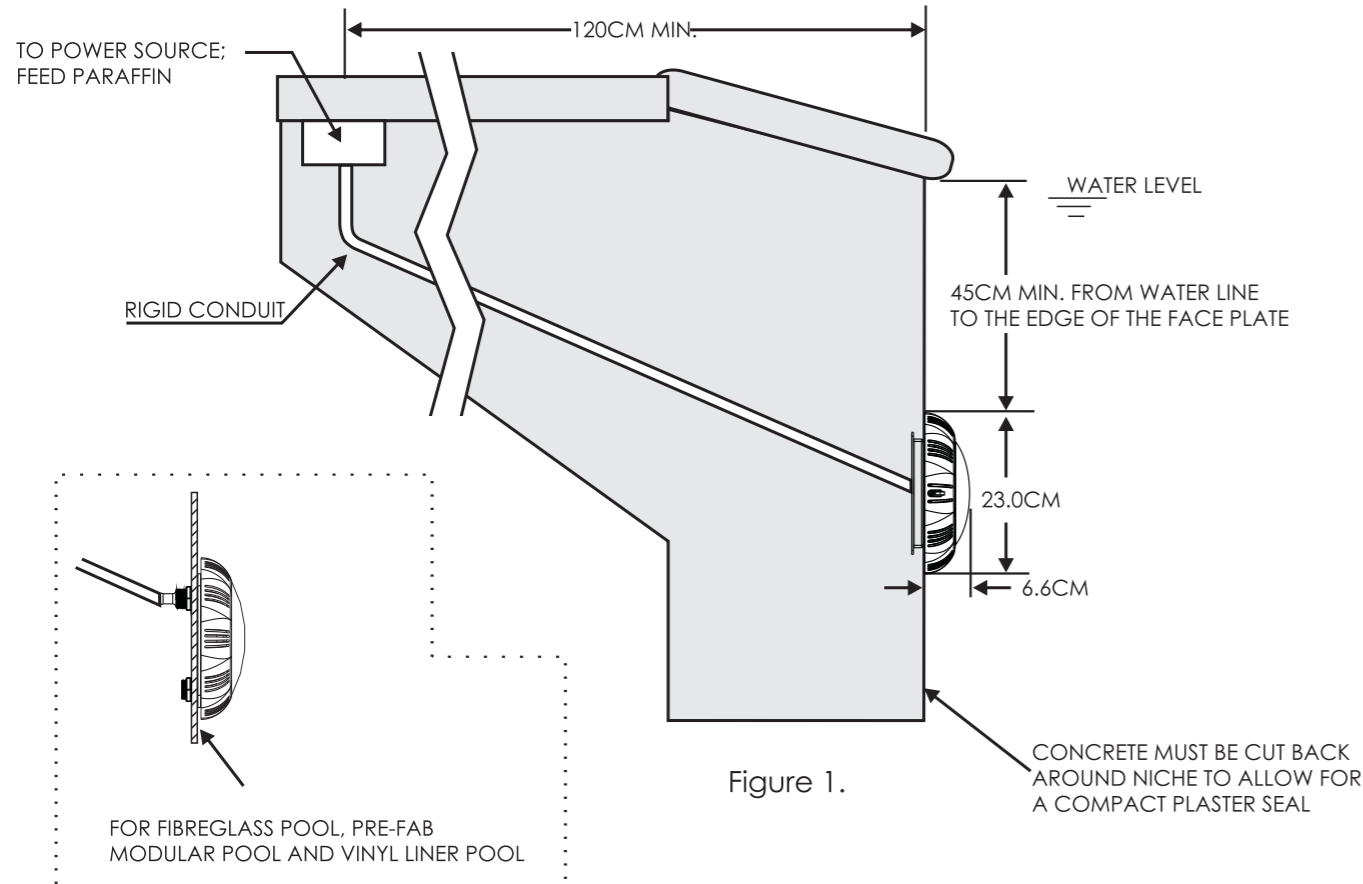


Figure 1.

- 1) Ensure that the electrical system and its wiring for the pool conform to the requirements of your government or your local authorities. The installation of the Underwater Light should only be performed by a licensed electrician.
 - a) The junction box, or the low voltage transformer for 12 volt Underwater Light model is to be located at least 120CM from the edge of the pool, see Figure 1.
 - b) The light fixture and all metal parts that are within 240CM of the pool must be properly protected with non-ductile materials and that the connections must be waterproof.
 - c) The mounting bracket must be properly installed so that the top edge of the Underwater Light lens is at least 45CM below the surface of the water in the pool, see Figure 1.
- 2) Consult the local Government Building Department to be certain that the pool's electrical system meets all applicable requirements.

B) Perform the following steps after the electrical system requirements are met.

- 1) Locate position on a vertical wall where light is to be installed. The edge of the face plate must be 45CM below normal water level, see Figure 1.

- 2) Connect conduit to midst of Mounting Spacer (left of Bracket), see Figure 2.
- 3) If pool surface is to be plastered, you must allow proper concrete cutback for plaster thickness. Finish concrete surface must be flush with Mounting Spacer. CAUTION: Finish area surrounding Mounting Spacer MUST be flat and flush with the face of Mounting Spacer, this ensures a snug fit between light and wall, see Figure 3.
- 4) After pool surface is finished, trim the Conduit.
- 5) Wrap a length of the cord up to a maximum of 2.4mt long on the back of the light assembly. This extra cord allows you to bring the light out of the pool for relamping and servicing.
- 6) Connect cord electrical wires at Junction box, through Conduit, be careful not to pull the 75mm-80mm of slack cord at the light through the conduit when connecting the wires.
- 7) Connect all wires to the corresponding circuit wires in the junction box and feed paraffin.
- 8) Secure the junction box cover in place.
- 9) Before operating the light for more than 10 seconds fill pool until the Underwater Light is completely submerged in water. To check for proper operation turn on main switch or circuit breaker as well as the switch that operates the Underwater Light itself.
- 10) Rotating Locking System ensures light is secured to bracket, see Figure 4. (Figure 5.)

C. Winterizing: Light should be left in place for winterization.

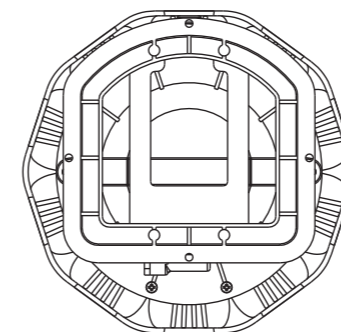


Figure 2.

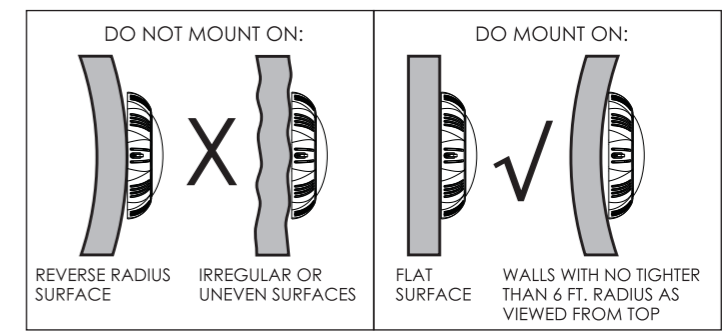


Figure 3.

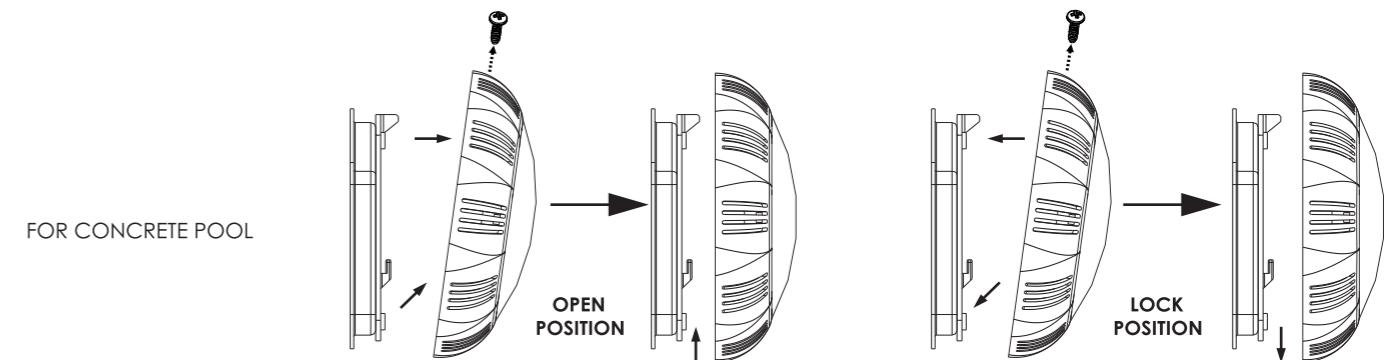


Figure 4.

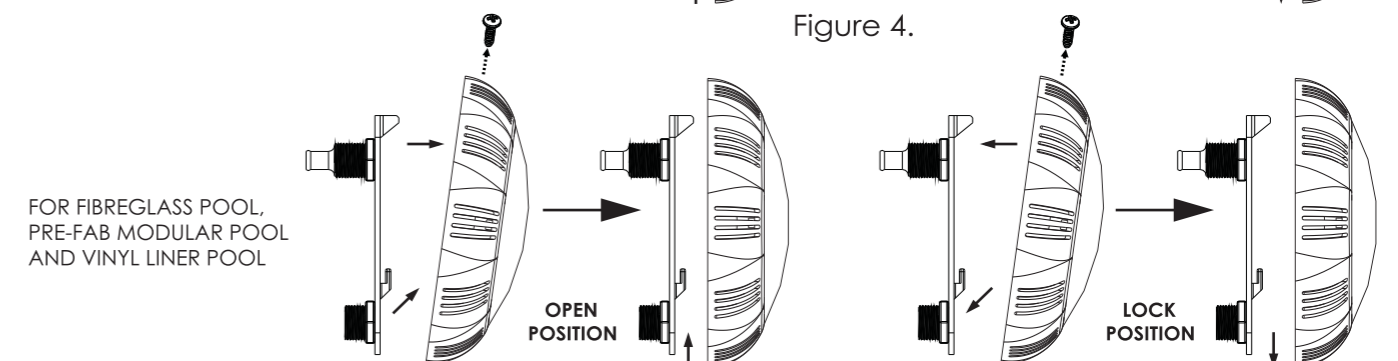


Figure 5.