

CAUTION:

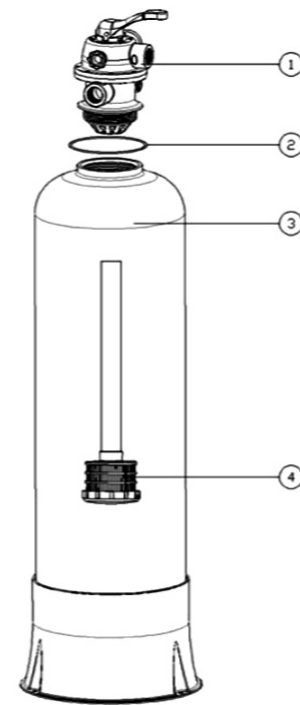
- 1) Do not adjust the handle position unless the inlet valve is closed or the pump is switched off.
- 2) Do not apply excessive force to the handle. If the handle is difficult to depress, relieve the system's pressure by loosening Pressure Release Valve.

GENERAL MAINTENANCE:

- 1) Wash the outer surface of the filter with a mild detergent and water. Rinse off with a hose. Do not use solvents to clean the filter. Solvents will damage the integrity of the filter tank.
- 2) Inspect the filter bed at least once a year. Remove any undesired material which has not been backwashed out of the system.

Replacement Part of Deep Bed Filter

Key No.	Part No.	Description	Qty
1	88281403	6 Way 1" Top Mount Valve (Valve Only) (Black)	1
2	02011013	O-Ring for Filter Neck	1
3	89012701	HD13300 Filter Tank With Base	1
3	89012702	HD15300 Filter Tank With Base	1
3	89012703	HD13350 Filter Tank With Base	1
3	89012703	Filter Tank with Base for HD13350	1
3	89012704	Filter Tank with Base for HD15350	1
3	89012705	Filter Tank with Base for HD13400	1
3	89012706	Filter Tank with Base for HD15400	1
4	89012707	Lateral Assembly with Center Pipe for HD13300/ HD13350/ HD13400	1
4	89012708	Lateral Assembly with Center Pipe for HD15300/ HD15350/ HD15400	1



WARNING

- 1) The filter operates under high pressure. When any part of the circulating system, (e.g filters, valve, etc.) is serviced, air can enter the system and become pressurized. Pressurized air can cause the valve to be blown off which can result in severe injury, death or property damage.
- 2) Turn pump or tap off before changing valve position
- 3) Do not remove valve when there is incoming water flow.

Deep Bed Filter User Manual

(For model 13300 / 13350 / 13400 / 15300 / 15350 / 15400)



The installation of this product should be carried out by a qualified plumber. Read through the user manual before installation. This manual should be kept for future reference.

Installation and Operation Guide:

General Safety Information:

The filter is operating under high pressure. Air can enter the system and become pressurized when any part of the circulating system (e.g filters, valve, etc) is serviced. Hence, release the pressure before removing the valve. Failure to do so may result in severe injury, death or property damage.

Turn pump or tap off before changing valve position.

Do not remove valve when there is incoming water flow.

Location:

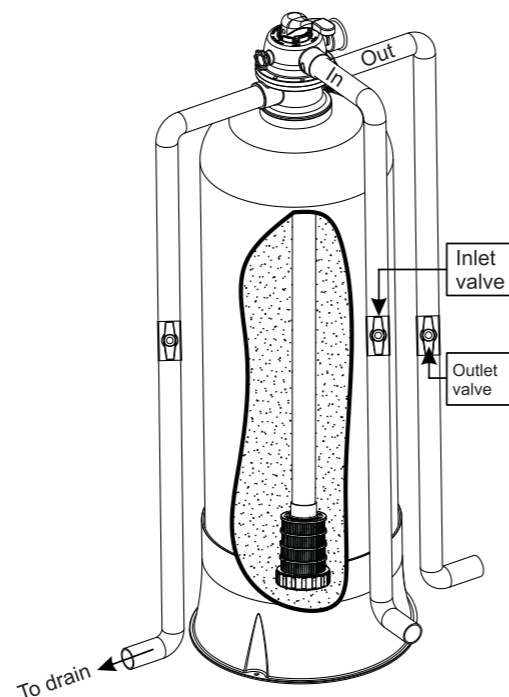
This product should be placed in a permanent place, preferably close to the incoming water supply and drainage to reduce piping for waste and backwash. Position the filter on a level ground and allow enough space for routine maintenance.

Weather Protection:

This product is made with UV resistant material, however we recommend to protect the filtration equipment against the weather by installing under shelter.

Installation Procedure:

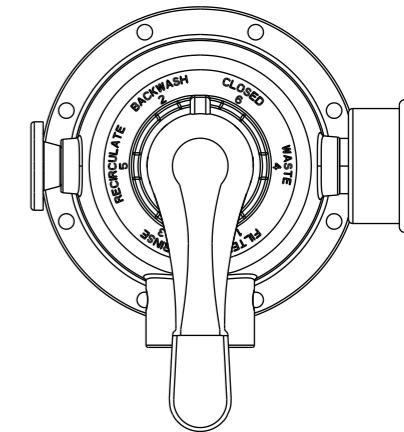
- 1) Fill up the filter with media - un-tighten the Multi Port Valve in an anti-clockwise direction and remove from the filter tank. Check laterals for any damage.
- 2) Half fill the tank with water and cover the central pipe with a piece of plastic to avoid any media entering the centre pipe.
- 3) Ensure the media is spread evenly when pouring into the tank.
- 4) Position the central pipe firmly to the center of the tank when viewed from top. When central pipe is firm in the center, continue to pour the remaining volume of media into the tank until approximately 70% of the tank level.
- 5) Carefully remove all the filter media and debris away from the threads of the filter tank.
- 6) Thread the MPV into the filter tank and tighten the pipe joints at various ports. **Hand**



Domestic Installation

Multiport Valve Operation:

Valve Position	Function
Filter	Normal Filtration
Rinse	Flush out dirt after backwashing
Recirculate	Circulating water to the outlet bypassing the filter
Backwash	Cleans the filter media by reversing the flow
Closed	Shut off all flow to filter or tap
Waste	Water bypass's the filter to waste pipe



tighten only. Do not over-tighten the joints.

Backwash

Importance of Backwash

After a period of prolong filtering, the filter will be clogged by debris and dirt. This will reduce the performance of the filter. To maintain the optimal performance, regular backwashing is essential to get rid of the undesired material in the tank.

Condition of Backwash

To determine the right time to perform backwash, refer to below conditions:

- 1) The flow rate through the filter bed decreases.
- 2) The quality of the water after filtration is not up to standard.

It is suggested to perform backwashing once every 2 weeks for domestic usage.

Operation Procedure:

- 1) Close inlet and outlet valve.
- 2) Release the system's pressure by loosening pressure release valve until the pressure gauge indicator drops to zero.
- 3) Retighten Pressure Release Valve
- 4) Depress and turn handle to "Backwash" mode. Open inlet valve fully. Dirty water will flow out through drain pipe.
- 5) When the flushed water appears clean, close inlet stop valve, depress handle and turn it to "Rinse" mode. Open inlet valve and let the water run till clear by looking at the sight glass. It should not take more than 5 minutes.
- 6) Close inlet valve. Depress handle and turn back to "Filter" mode and open the outlet valve. Your filter is ready to work again.